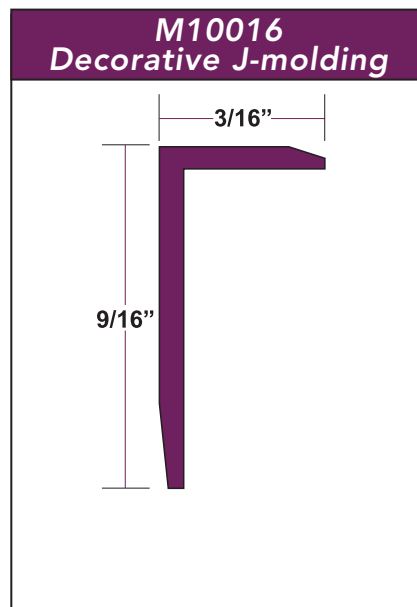
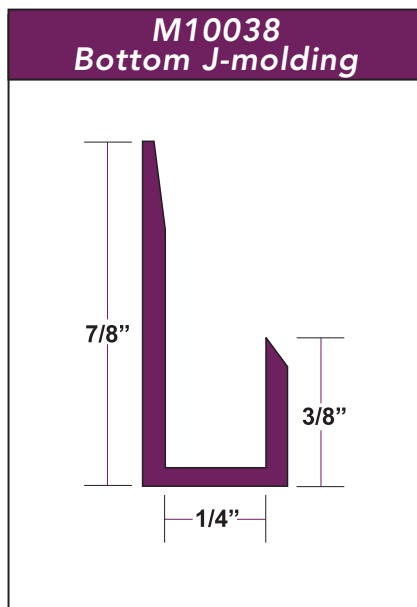
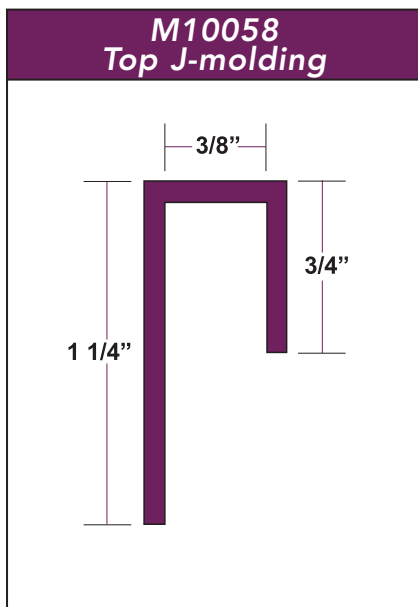


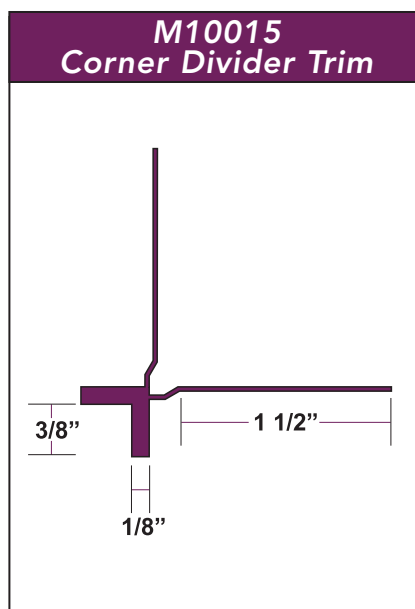
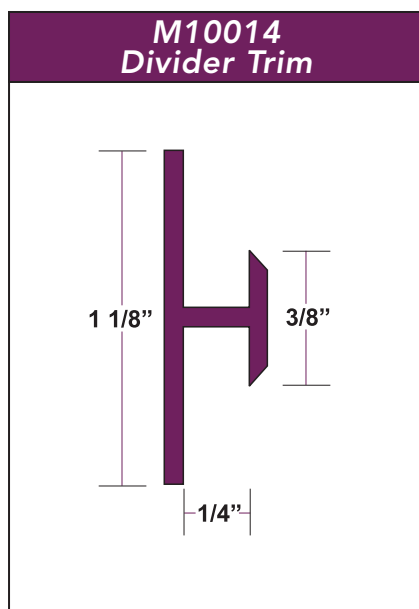
J-MOLDINGS

Top and bottom J-moldings are perfect for floor to ceiling installations. They provide complete coverage of the mirror ends, giving a finished trim look to any mirror installation. Use our adhesive J-molding as a decorative accent for applications that do not require support.



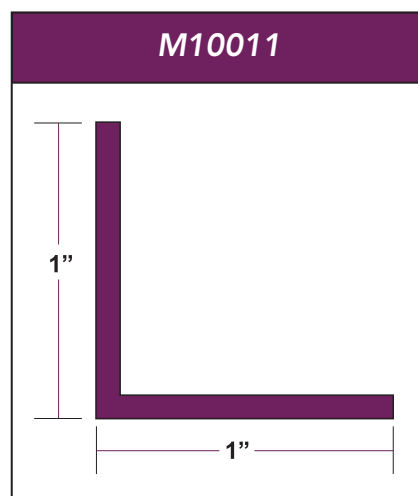
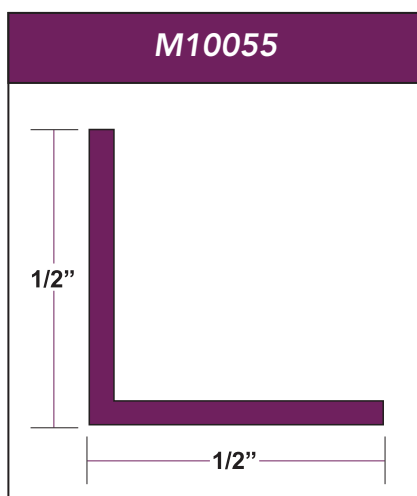
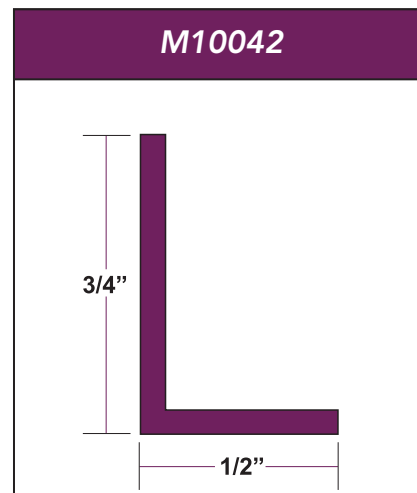
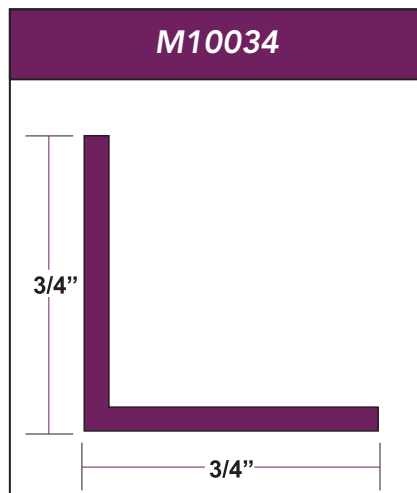
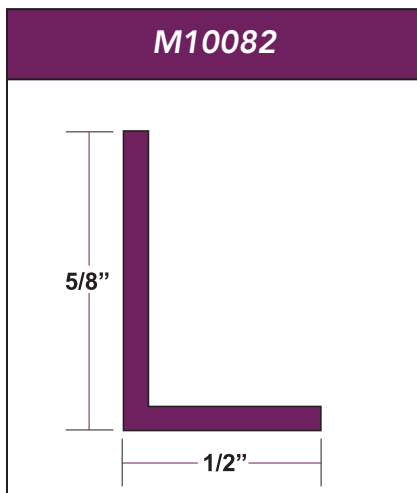
TRIMS

Divider trims can be used as an accent both vertically and horizontally between two panes of glass to give your installation a finished appearance.



ANGLES

Angles are available in a variety of sizes to complete any application. Some of the most common sizes are shown below.



SANDING DISKS AND BELTS

PART No.	DESCRIPTION	QTY.	GRIT	DIMENSIONS
M40080	Disks	100	80	7" dia. 7/8" hole
M40120	Disks	100	120	7" dia. 7/8" hole
M40400	Disks	100	400	7" dia. 7/8" hole
M41080	Belts	10	80	3"x 24"
M41120	Belts	10	120	3"x 24"
M41400	Belts	10	400	3"x 24"
M42080	Belts	10	80	3"x 21"
M42120	Belts	10	120	3"x 21"
M42400	Belts	10	400	3"x 21"
M43080	Belts	10	80	1-1/8"x 21"
M43120	Belts	10	120	1-1/8"x 21"
M43400	Belts	10	400	1-1/8"x 21"

